

Installation instructions for Ford Super Duty FD-4121 Rock Steps

**** Inspect Trail steps and all parts prior to installation. Contact us at 951-808-0750 for missing parts.**

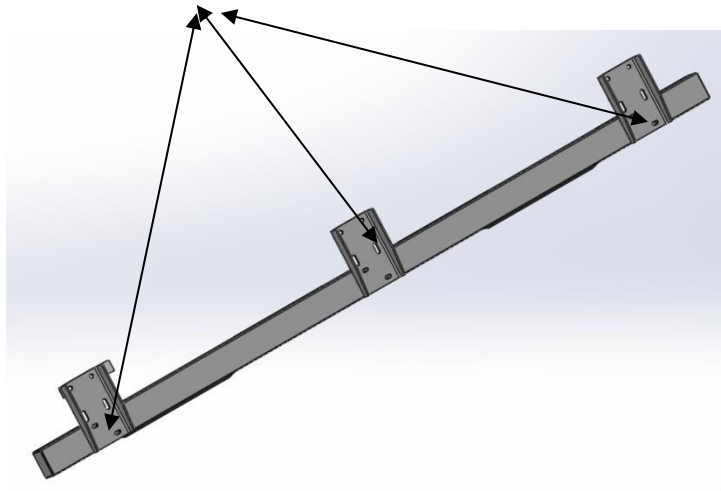
Hardware list:

QTY 24 M8X1.25X30mm
QTY32 M8 washer
QTY 6 Brackets
Green Wrap=Driver side
White Wrap= Passenger side

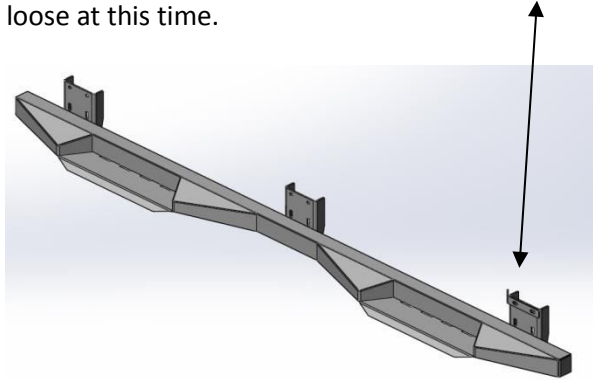
Installing Trail Steps:

We recommend you have help with lifting of the Trail Steps to avoid injury or damage to Trail Steps and vehicle.

- 1 If vehicle has factory steps, remove at this time. Retain factory hardware for installation.
- 2 Install step brackets to Rock Steps using M8 hardware.



- 3 Mount Trail Steps to Factory Step mount locations using spacers provided for front mounting locations. Leave loose at this time.



- 4 Check alignment to body and tighten hardware.

Note: Recheck all hardware after the first couple hundred miles. It is advised to inspect the bumper and hardware periodically. **Do not return this product to the dealer if there is a question or concern about a possible defect, contact us directly and we will make every effort to resolve the issue as quickly as possible. 1-951-808-0750 or kneubauer@tolarmfg.com**** Body Armor warranty policy: Body Armor 4x4 warrants this product to be free from manufacturer defects for the life of the product. Damage to the product is not considered a defect; abuse of the product is not considered a defect. If fitment issues occur during the installation is not considered to be a defect, call our office to resolve fitment or installation questions. 951-808-0750. Body Armor 4x4 warranty's the paint for 90 days from date of purchase. Rust is not a warrantable defect as we cannot control proper maintenance of the product or environmental variables. We use the highest quality powder coat process as well as an E-Coat undercoating, this allows for the maximum corrosion resistance available. Proper maintenance is required to maintain the long term luster of the paint. Touch rock chips with a quality flat black spray paint or automotive touch up paint.